

# 3600NF series

## Sealed toggle switches for outdoor applications

*Distinctive features and specifications*

UG1410A



- Sealing to IP67 obtained by :**
  - O-ring between lever and bushing
  - half-length boot and nylon washer (supplied mounted)
  - elastomer gasket between cover and case
  - molded-in terminal inserts
  - sealing washer U60
- Solid silver contacts**
- UL approved**

### ELECTRICAL SPECIFICATIONS

- Max. current/voltage rating with resistive load : 12A 28VDC
- Initial contact resistance : 10 mΩ max.
- Insulation resistance : 1.000 MΩ min. at 500VDC
- Dielectric strength :
  - 2.500 Vrms 50 Hz min. between terminals
  - 3.000 Vrms 50 Hz min. between terminals and frame
- Electrical life : 10.000 cycles at full load

### MATERIALS

- Case : phenolic resin
- Actuator : brass, nickel plated
- Bushing : brass, nickel plated
- Contacts : solid silver

### GENERAL SPECIFICATIONS

- Sealing to IP67 according to IEC 60529
- Torque : 1,50 Nm (1.10 Ft.lb) max. applied to nut
- Panel thickness : 2 mm (.079) max. with all accessories
- Operating temperature : -40°C to +85°C

### AGENCY APPROVAL



6A 125VAC/250VAC

**Availability** : consult factory for details or approved models.

**Marking** : to order switches marked UL, complete last box of ordering format.

### ABOUT THIS SERIES

**Dimensions** : first dimensions are in mm while inches are shown as bracketed numbers.



**Mounting accessories** : 1 sealing boot U1151, 1 hex nut U166, 1 nylon washer U21 and 1 sealing washer U60. See section I.



**Packaging unit** : 25 pieces per type and colour.

The company reserves the right to change specifications without notice.

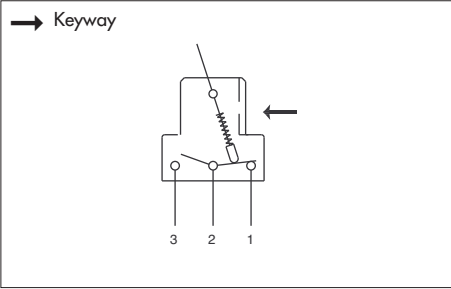
# 3600NF series

Sealed toggle switches for outdoor applications

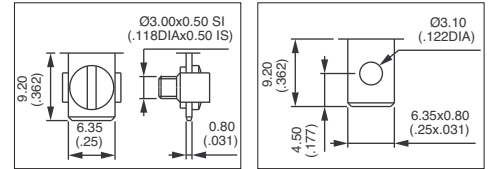
Screw terminals - solder lug/quick-connect terminals



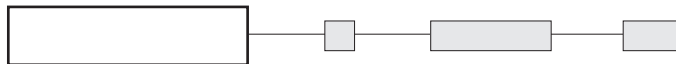
A



- 1 and 2 pole configurations



MODEL STRUCTURE



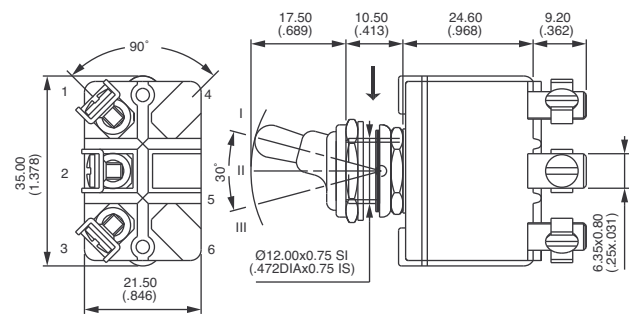
## Screw terminals - single pole

→ Keyway



3631NF  
3635NF  
3636NF  
3637NF  
3638NF  
3639NF

III	II	I
2-1		2-3
ON	-	OFF
MOM	-	ON
ON	-	ON
MOM	OFF	MOM
ON	OFF	MOM
ON	OFF	ON



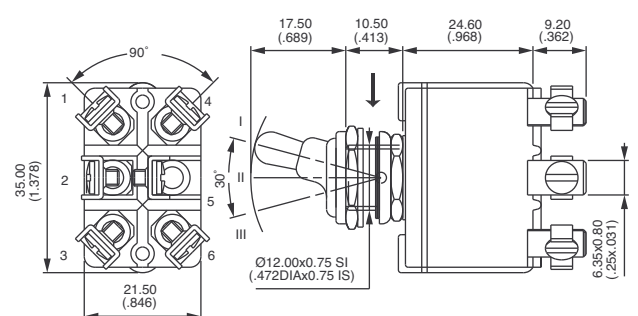
## Screw terminals - double pole

→ Keyway



3641NF  
3644NF\*  
3645NF  
3646NF  
3647NF  
3648NF  
3649NF

III	II	I
2-1		2-3
5-4		5-6
ON	-	OFF
ON	ON	ON
MOM	-	ON
ON	-	ON
MOM	OFF	MOM
ON	OFF	MOM
ON	OFF	ON



\* Function 4 : SP in DP case, see end of catalogue.

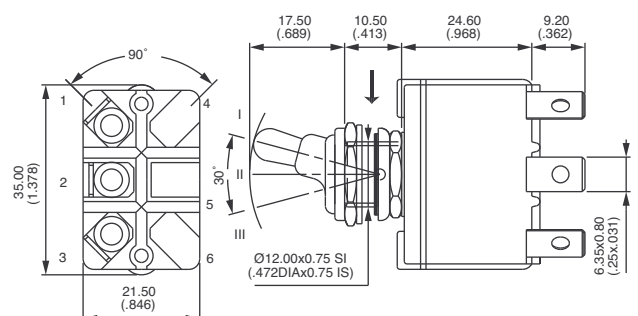
## Solder lug/quick-connect terminals - single pole

→ Keyway



3631NF/2  
3635NF/2  
3636NF/2  
3637NF/2  
3638NF/2  
3639NF/2

III	II	I
2-1		2-3
ON	-	OFF
MOM	-	ON
ON	-	ON
MOM	OFF	MOM
ON	OFF	MOM
ON	OFF	ON





# 3600NF series

Sealed toggle switches for outdoor applications

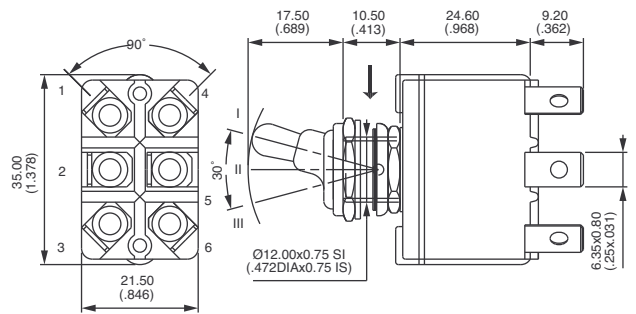
Solder lug/quick-connect terminals

## Solder lug and quick-connect terminals - double pole



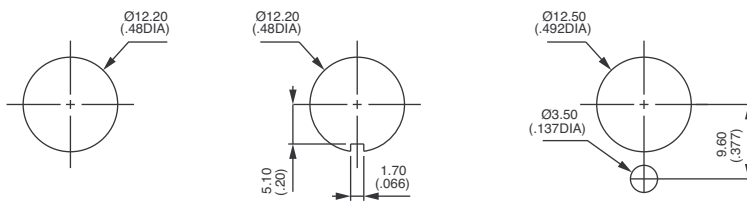
- 3641NF/2
- 3644NF/2\*
- 3645NF/2
- 3646NF/2
- 3647NF/2
- 3648NF/2
- 3649NF/2

III	II	I
2-1		2-3
5-4		5-6
ON	-	OFF
ON	ON	ON
MOM	-	ON
ON	-	ON
MOM	OFF	MOM
ON	OFF	MOM
ON	OFF	ON

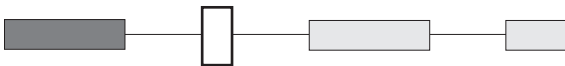


\* Function 4 : DP in 4P case, see end of catalogue.

### PANEL CUT-OUT



### FINISH

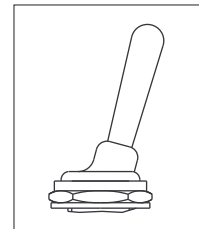


G Black finish on lever and nut of sealing boot

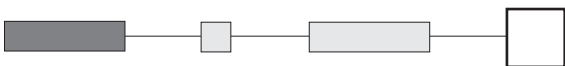
### SPECIAL LEVER



X1052 30 mm (1.181) long lever



### AGENCY APPROVAL



UL

Marking : to order switches marked UL, complete above box with "UL".